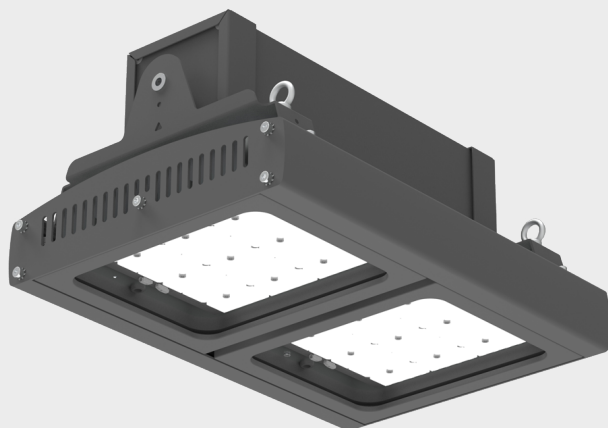


IP66
ZONE 2/21


Description

HIGH-BAY type luminaire designed for explosion hazardous areas for ATEX Zones 2/21, 22. Robust aluminium body (RAL 7043) with clear safety glass. The luminaire's optical system offers a large variation of light curves for different applications. Equipped with high-quality electronic components with an efficiency of up to 179 lm/W and a high LED lifetime of up to 100,000 h even at high temperatures. The modular system of the luminaire allows the selection of light output according to the needs of the project. It is characterized by high splash and dust resistance IP66. Suitable for ambient temperatures from -40 °C to +70 °C (depending on luminaire variant). Excellent heat dissipation due to cooling of each light module. Designed for hanging or clip-on (positionable) mounting. The adjustable boom allows a wide variation in the use of the luminaire.

Specifications

Operating voltage:

220-240 V / 50/60 Hz AC

Source:

LED, 4000K, CRI +80, MacAdam3

Housing:

Aluminium profile, RAL 7043 grey

Cover:

Clear tempered safety glass

Fastening:

With hanging lugs for easy hanging with chains or looped ropes or with an adjustable boom for snap-on mounting (adjustable bracket not standard, must be ordered).

Connection:

With 2 m cable. T50/T60 variants have a plastic gland

Standard equipment:

4x stainless steel eye bolt M5. The luminaire is equipped with 2 m cable (3x1,5 mm) as standard.²⁾, which is terminated by tubes

Calculated lifetime – LED modules:

L90B50 Ta 25 – 50 000 h

L80B50 Ta 25 – 150 000 h

L70B50 Ta 60 – 100 000 h

BERGER-N-LED ATEX – zone 2/21 (FTZU 22 ATEX 0107X)

II 3G Ex nR IIC T6...T5 Gc



II 2D Ex tb op is IIIC T85°C Db

BERGER-N-LED IECEx – zone 2/21 (IECEx FTZU24.0004X)

Ex nR IIC T6 Gc

Ex nR IIC T5 Gc

Ex tb op is IIIC T85°C Db

BERGER-N-LED ATEX – zone 2/22 (FTZU 22 ATEX 0108X)

II 3G Ex nR IIC T6...T5 Gc



II 3D Ex tc IIIC T85°C Dc

3000K/4000K/5000K/6500K – colour temperature
DIM – dimmable electronic driver (DALI)

Number items	Name of variant	Luminous flux (lm)	Specific power luminaires	Power input (W)	Ta (°C)	Dimensions A x B x C (mm)
46026	BERGER-N-LED-2,21-T50-90-12200-4K-1M, IP66	10922	158 lm/W	69	-20°C≤ta≤50°C	415 x 285 x 190
46053	BERGER-N-LED-2,21-T60-90-9900-4K-1M, IP66	8933	165 lm/W	54	-20°C≤ta≤60°C	415 x 285 x 190
46076	BERGER-N-LED-2,21-T70-90-6350-4K-1M, IP66	5764	175 lm/W	33	-20°C≤ta≤70°C	415 x 285 x 190
46100	BERGER-N-LED-2,21-FROST-90-9900-4K-1M, IP66	8933	165 lm/W	54	-40°C≤ta≤50°C	415 x 285 x 190
46034	BERGER-N-LED-2,21-T50-90-24400-4K-2M, IP66	21844	161 lm/W	136	-20°C≤ta≤50°C	415 x 285 x 190
46059	BERGER-N-LED-2,21-T60-90-19800-4K-2M, IP66	17866	167 lm/W	107	-20°C≤ta≤60°C	415 x 285 x 190
46082	BERGER-N-LED-2,21-T70-90-12700-4K-2M, IP66	11528	172 lm/W	67	-20°C≤ta≤70°C	415 x 285 x 190
46105	BERGER-N-LED-2,21-FROST-90-19800-4K-2M, IP66	17866	167 lm/W	107	-40°C≤ta≤50°C	415 x 285 x 190
46041	BERGER-N-LED-2,21-T50-90-36600-4K-3M, IP66	32726	160 lm/W	204	-20°C≤ta≤50°C	620 x 285 x 190
46064	BERGER-N-LED-2,21-T60-90-26200-4K-3M, IP66	23622	164 lm/W	144	-20°C≤ta≤60°C	620 x 285 x 190
46089	BERGER-N-LED-2,21-T70-90-17800-4K-3M, IP66	16130	172 lm/W	94	-20°C≤ta≤70°C	620 x 285 x 190
46111	BERGER-N-LED-2,21-FROST-90-26200-4K-3M, IP66	23622	164 lm/W	144	-40°C≤ta≤50°C	620 x 285 x 190
46048	BERGER-N-LED-2,21-T40-90-48800-4K-4M, IP66	43634	152 lm/W	287	-20°C≤ta≤40°C	825 x 285 x 190
46071	BERGER-N-LED-2,21-T60-90-30200-4K-4M, IP66	27224	167 lm/W	163	-20°C≤ta≤60°C	825 x 285 x 190
46092	BERGER-N-LED-2,21-T70-90-24150-4K-4M, IP66	21888	179 lm/W	122	-20°C≤ta≤70°C	825 x 285 x 190
46117	BERGER-N-LED-2,21-FROST-90-30200-4K-4M, IP66	27224	167 lm/W	163	-40°C≤ta≤50°C	825 x 285 x 190

Luminous flux and luminaire power tolerance ±10%
 You can view the variant detail via the item number.

BERGER adjustable bracket

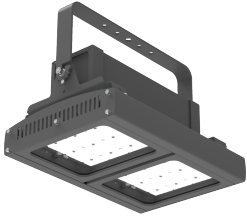
Item number: **62192**
 Product type: **051229**



Certified BERGER 0,3 m zinc cable sling – Y (set of 2)

Item number: **57848**
 Product type: **051235**





© 2026 All rights reserved. VYRTYCH a.s. does not warrant the accuracy or completeness of the information provided herein and is not responsible for any events that may occur as a result of unqualified reliance on this information. The information contained herein does not constitute a commercial offer and does not form part of a quotation or contract, unless confirmed by VYRTYCH a.s..