

BERGER-N-LED

Technical conditions of the luminaires installation

ENG

04.03.2026/ rev.4
www.vyrtych.cz

BERGER-N-LED-2/21 FTZU 22 ATEX 0107X

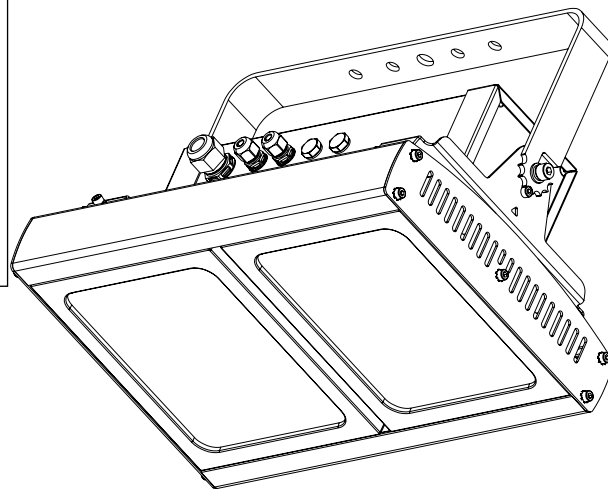
- ⊕ II 3G Ex nR IIC T6 Gc or
- ⊕ II 3G Ex nR IIC T5 Gc
- ⊕ II 2D Ex tb op is IIIC T85°C Db

IECEX FTZÚ 24.0004X

- Ex nR IIC T6 Gc
- Ex nR IIC T5 Gc
- Ex tb op is IIIC T85°C Db

BERGER-N-LED-2/22 FTZU 22 ATEX 0108X

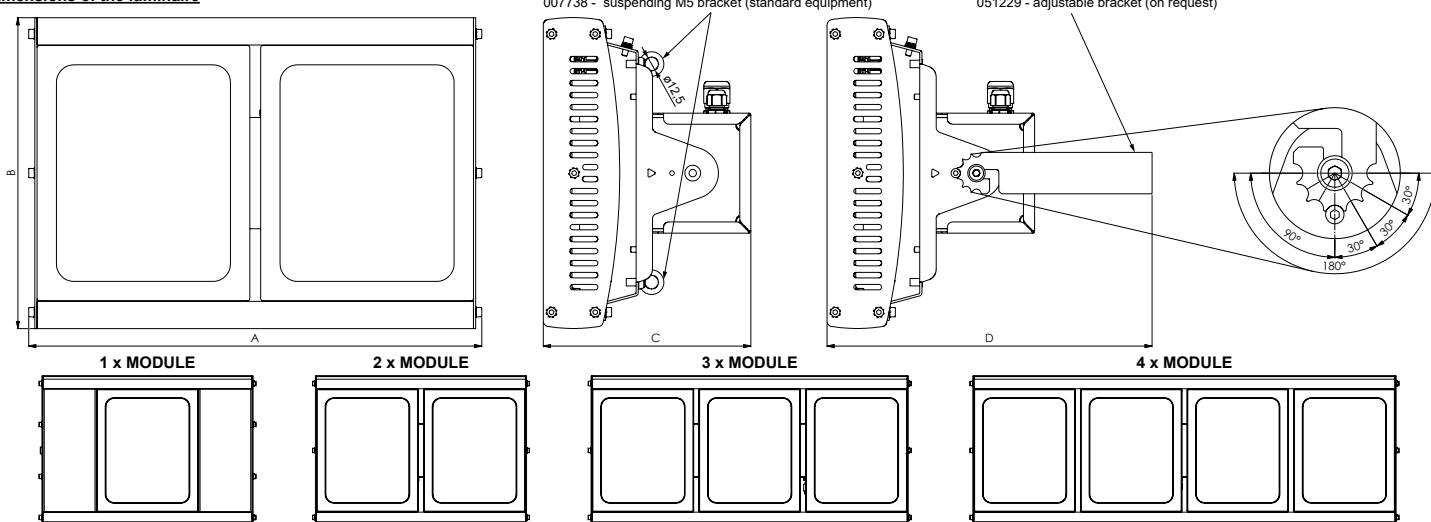
- ⊕ II 3G Ex nR IIC T6 Gc or
 - ⊕ II 3G Ex nR IIC T5 Gc
 - ⊕ II 3D Ex tc IIIC T85°C Dc
- IP66, class I



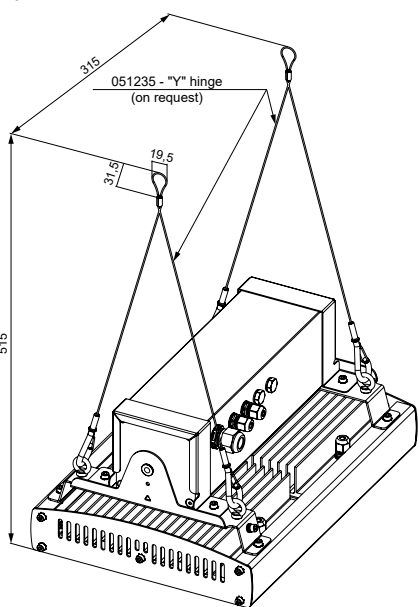
The explosion proof light fittings meet the standards according to the EU instructions 2014/34/EU. They can be used in areas with danger of explosion according to the following chart:

Area with danger of explosive	Marking of external influences	Classification of area	
		Marking	Complutory regulation
Danger of explosion of inflammable dust	BE3N1	ZONE 22/21	EN 60079-14 EN 60079-10-2
Danger of explosion of inflammable gas and vapors	BE3N2	ZONE 2	EN 60079-14 EN 60079-10-1

Dimensions of the luminaire

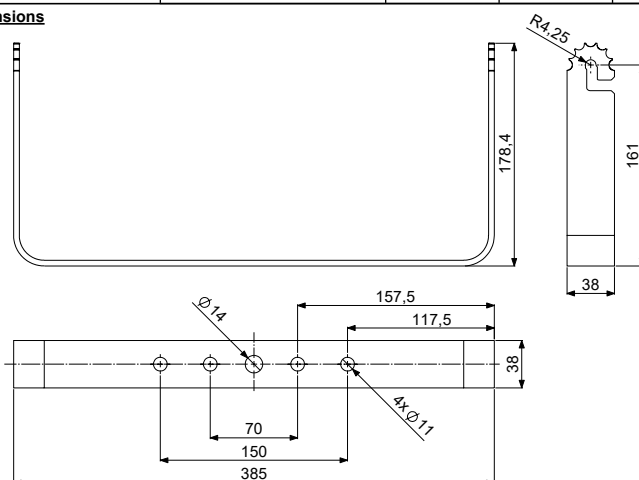


Suspended installation

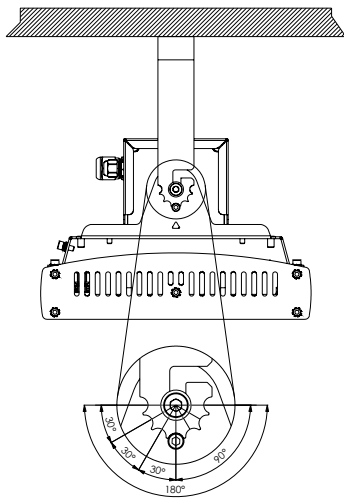


Type	A(mm)	B(mm)	C(mm)	D(mm)
BERGER-N-LED-1xmodule	415	285	190	298
BERGER-N-LED-2xmodule	415	285	190	298
BERGER-N-LED-3xmodule	620	285	190	298
BERGER-N-LED-4xmodule	825	285	190	298

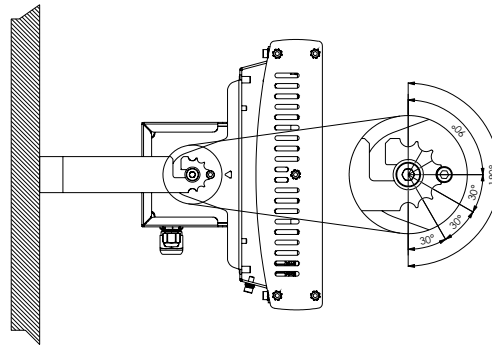
Mounting bracket dimensions



Ceiling installation: max. tilt angle of the luminaire



Wall installation: max. tilt angle of the luminaire



Maximum allowed number luminaires for circuit breaker

Maximal short circuit current must not be higher than 10kA

Type of luminaire	B10 A	B16 A	C10 A	C16 A
BERGER-N-LED-T50-1xmodule	19	30	31	53
BERGER-N-LED-T50-2xmodule	9	15	15	26
BERGER-N-LED-T50-3xmodule	6	10	10	17
BERGER-N-LED-T40-4xmodule	-	2	-	4
BERGER-N-LED-T60-1xmodule	19	30	31	53
BERGER-N-LED-T60-2xmodule	9	15	15	26
BERGER-N-LED-T60-3xmodule	6	10	10	17
BERGER-N-LED-T60-4xmodule	-	2	-	4
BERGER-N-LED-T70-1xmodule	-	5	-	8
BERGER-N-LED-T70-2xmodule	19	30	31	53
BERGER-N-LED-T70-3xmodule	19	30	31	53
BERGER-N-LED-T70-4xmodule	9	15	15	26
BERGER-N-LED-FROST-1xmodule	-	5	-	8
BERGER-N-LED-FROST-2xmodule	-	3	-	6
BERGER-N-LED-FROST-3xmodule	-	2	-	4
BERGER-N-LED-FROST-4xmodule	-	2	-	4

Mounting instructions for luminaire with bracket

1

2

3

4

5

Setting the bracket angle

6

Tightening the position screw M5x16 - tightening torque 6Nm

7

Tightening the main screw M8x25 - tightening torque 10Nm

8

The initial inspection must be provide according to EN 60079-17, Table 1.

VYRTYCH

Židněves 116, 294 06 Březno, Czech Republic

- ① BERGER-N-LED-2,21-T-x-y-zK-DALI-nM
- ② 220-240V, 50/60Hz, 220-240V DC, class I, 15W
- ③ Ta IP66
- ④ FTZÚ 22 ATEX 0107X/ IECEx FTZU 24.0004X
- ⑤ II 3G Ex nR IIC T85°C Db/ Ex nR IIC T85°C Db
- ⑥ II 2D Ex tb op is IIC T85°C Db/ Ex tb op is IIC T85°C Db
- ⑦ art.n.: 61 657
- ⑧ Product Type: W011204012-84AA0PD660000S



Marking of luminaires

1. Name

BERGER-N-LED-2,21-T-x-y-zK-DALI-nM

2 - marking of zone with danger of explosion of the flammable gas and vapours

21 - marking of zone with danger of explosion of the flammable dust

T - type of the luminaire

x - type of the optical system

y - marking of the luminous flux value LED modules (lm)

zK - correlated color temperature (K)

DALI - marking of the dimmable luminaire (option)

nM - marking of the number of modules

2. Designation of operating voltage, frequency, insulation class, and luminaire power

3. Designation of the allowable ambient temperature range; and luminaire IP protection rating

4. Certificate designation:

- FTZÚ – abbreviation of the certificate type

- 24 – year of certificate issue

- ATEX / IECEx – abbreviation of the certification body that issued the certificate

- xxxXX / xxxXX – certificate number

5. Luminaire protection marking against the risk of explosion from flammable gases and vapors

6. Luminaire protection marking against the risk of dust explosion

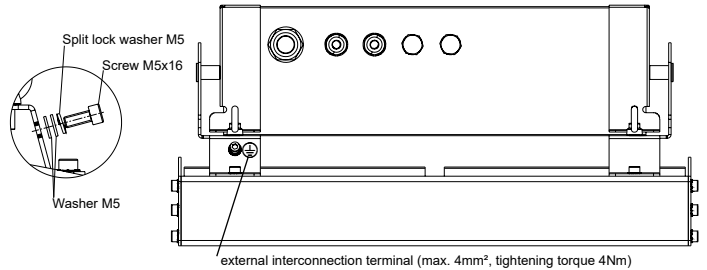
7. Item number

8. Product number of the luminaire

9. Notified body number

10. LIN code

Position of external interconnection



Ambient temperature:

T - Type of the luminaire	Ta - Ambient temperature	Tx - Temperature class
BERGER-N-LED-2,21-T40-x-y-zK-DALI-nM	-20°C - +40°C	T6
BERGER-N-LED-2,21-T50-x-y-zK-DALI-nM	-20°C - +50°C	T6
BERGER-N-LED-2,21-T60-x-y-zK-DALI-nM	-20°C - +60°C	T5
BERGER-N-LED-2,21-T70-x-y-zK-DALI-nM	-20°C - +70°C	T5
BERGER-N-LED-2,21-FROST-x-y-zK-DALI-nM	-40°C - +50°C	T6

Connection of the luminaire

The luminaire is equipped by 2m cable (3x1,5mm²/ 5x1,5mm²). The cable is ended by sleeves.

Standard luminaire:

green-yellow wire = ⊕

blue wire = N

brown wire = L

Luminaire with DALI:

green-yellow wire = ⊕

blue wire = N

brown wire = L

black wire = DA

grey wire = DA

The marking of individual terminals and connections may differ, depending on the required equipment of the luminaire.

In case of confusion contact the technical support of VYRTYCH a.s.

Cable glands	Diameter of the cable for cable glands M20x1,5
WISKA EX M20x1,5 ESKE/1-e 20	∅ 7 mm - 13 mm
BIMED EBU1MBNS M20x1,5	∅ 4 mm - 12 mm

In case of any interventions on fixture lighting in premises with danger of explosion, the national safety rules and regulation for prevention of accidents are to be observed. BERGER-N-LED luminaires are aluminium, dustproof a waterproof luminaires intended to illumination zone with danger of explosion.



WARNING!!!

Potential danger of electrostatic charging.

The luminaire must be installed in the position, which does not allow the touch of persons and parts of the fixture.

The luminaire is intended for fixed installation.

The luminaire should be cleaned with damp duster only. It is necessary to keep periodic cleaning intervals of lighting fixture

Do not open under voltage.

Replace broken protective cover.

The luminaire can be installed only by authorized person.

When installing luminaire, observe the ESD safety using appropriate tools.

After the light source is changed then is necessary to change also the gasket in the luminaire.

After the driver is changed then is necessary to change also the gasket in the driver's part.

During the commissioning is not necessary to make the routine test of luminaire.

The changing of light source, gasket and other repairs of this luminaire can do only producer, its contractual service technician or a similarly qualified person with authorization from producer and only with original spare parts.

If the mounting instructions are not observed the producer cannot be responsible for incidental damages incurred.



Producer included in recycling system provided by EKO-KOM Company (EK-F06070058).

Basic instruction:

For users of luminaires

For users of emergency luminaires

For DALI system users



After clicking on the QR code, you will be redirected to the relevant website.